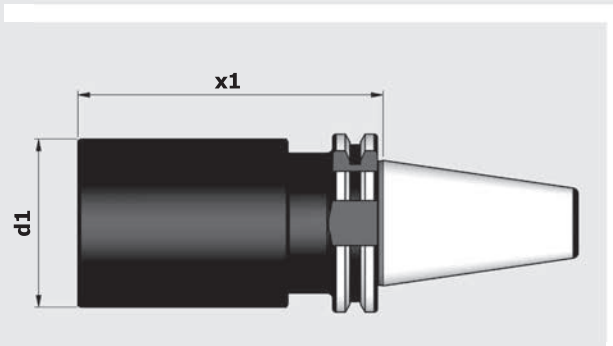


Bohrstangen - Rohlinge  
 Boring bar - blanks  
 Ebauche de barre d'alésage

*Namjena : za izradu specijalnih alata*  
 Verwendung : zur Herstellung von Sonderwerkzeugen  
 Application : for making special tools  
 Application : pour la fabrication d'outils speciaux



Konus	d1	x1	code
Kegel	60,5	160	<b>RL60.D40.160</b>
Taper	60,5	250	<b>RL60.D40.250</b>
Cone	63,5	250	<b>RL63.D40.250</b>

**40**

69871  
A

pre  
balanced

Konus	d1	x1	code
Kegel	95,5	160	<b>RL95.D50.160</b>
Taper	95,5	250	<b>RL95.D50.250</b>
Cone			

**50**

69871  
A

pre  
balanced