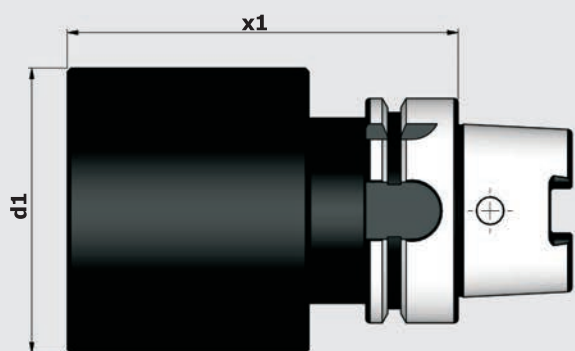




Bušne motke, sirove

Bohrstangen - Rohlinge
Boring bar - blanks
Ebauche de barre d'alesage

Namjena : za izradu specijalnih alata
Verwendung : zur Herstellung von Sonderwerkzeugen
Application : for making special tools
Application : pour la fabrication d'outils speciaux



HSK - ISO 12164

HSK	d1	x1	code
50	63	160	RL63.50A.160
	63	200	RL63.50A.200
Form A+C	63	250	RL63.50A.250

pre
balanced

HSK	d1	x1	code
63	80	160	RL80.63A.160
	80	200	RL80.63A.200
Form A+C	80	250	RL80.63A.250
	80	315	RL80.63A.315

pre
balanced

HSK	d1	x1	code
100	95	160	RL95.100A.160
	95	200	RL95.100A.200
Form A+C	95	250	RL95.100A.250

pre
balanced

d1 mekan za daljnu obradu
d1 weich zur weiter Bearbeitung
d1 not hardened for later machining
d1 doux pour usinage ulterieur