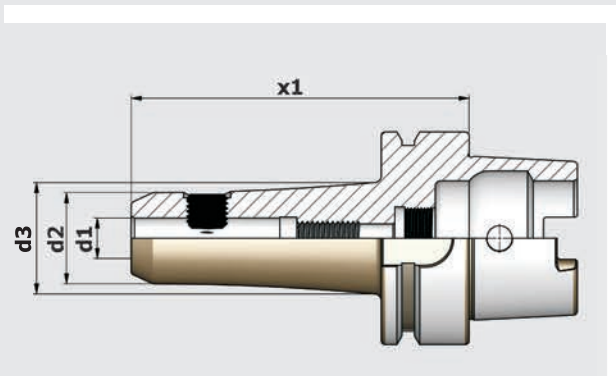


Držači DIN6359 za alate sa cilindričnom drškom
DIN 1835B (Weldon) «FORM-LINE»

SAB

Zwischenhülsen für Zylinderschäfte «FORM-LINE»
Adaptor sleeves for parallel shanks «FORM-LINE»
Mandrin pour outils a queue cylindrique a meplat «FORM-LINE»

Isporuka : sa ugrađenim vijcima za stezanje
Lieferumfang : mit eingebauter Spannschraube
Delivery : adaptor with built in locking screw
Livraison : avec vis de serrage



HSK	d1	x1	d2	d3	code
63	6	100	17	23	WE06.63A.100F
	6	130	17	28	WE06.63A.130F
	6	160	17	29	WE06.63A.160F
Form A+C	8	100	21	27	WE08.63A.100F
	8	130	21	32	WE08.63A.130F
	8	160	21	33	WE08.63A.160F
≤3μ	10	100	24	30	WE10.63A.100F
	10	130	24	35	WE10.63A.130F
	10	160	24	36	WE10.63A.160F
G2.5 25.000	12	100	27	33	WE12.63A.100F
	12	130	27	38	WE12.63A.130F
	12	160	27	39	WE12.63A.160F
Fe-Ni	14	100	29	35	WE14.63A.100F
	14	130	29	40	WE14.63A.130F
	14	160	29	41	WE14.63A.160F

HSK	d1	x1	d2	d3	code
63	16	100	33	39	WE16.63A.100F
	16	130	33	44	WE16.63A.130F
	16	160	33	45	WE16.63A.160F
Form A+C	18	100	35	41	WE18.63A.100F
	18	130	35	46	WE18.63A.130F
	18	160	35	47	WE18.63A.160F
≤3μ	20	100	39	45	WE20.63A.100F
	20	130	39	48	WE20.63A.130F
	20	160	39	49	WE20.63A.160F
G2.5 25.000	25	100	47	47	WE25.63A.100F
	25	130	47	47	WE25.63A.130F
	25	160	47	47	WE25.63A.160F
Fe-Ni	32	110	57	57	WE32.63A.110F
	32	160	57	57	WE32.63A.160F

HSK - ISO12164

Rezervni dijelovi/ Ersatzteile/ Spare parts/ Accessoires

WE	Mxl	code
6	M6x6	WE.06.F
8	M8x7.5	WE.08.F
10	M10x8	WE.10.F
12	M12x8	WE.12.F
14	M12x8.5	WE.14.F
16	M14x8.5	WE.16.F
18	M14x8.5	WE.18.F
20	M16x10	WE.20.F
25	M18x2x11,5	WE.25.F
32	M20x2x13	WE.32.F

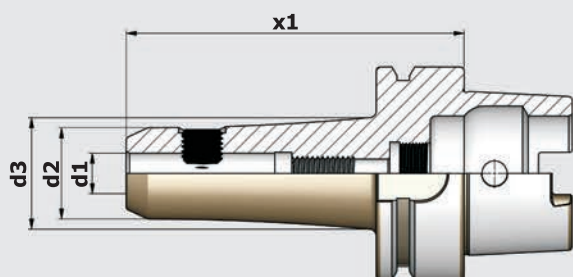




Držači DIN6359 za alate sa cilindričnom drškom DIN 1835B (Weldon) «FORM-LINE»

Zwischenhülsen für Zylinderschäfte «FORM-LINE»
Adaptor sleeves for parallel shanks «FORM-LINE»
Mandrin pour outils a queue cylindrique a meplat «FORM-LINE»

Isporuka : sa ugrađenim vijcima za stezanje
Lieferumfang : mit eingebauter Spannschraube
Delivery : adaptor with built in locking screw
Livraison : avec vis de serrage



HSK - ISO 12164

HSK	d1	x1	d2	d3	code
100	6	130	17	26	WE06.100A.130F
	6	160	17	27	WE06.100A.160F
	6	200	17	37	WE06.100A.200F
Form A+C	8	130	21	30	WE08.100A.130F
	8	160	21	32	WE08.100A.160F
	8	200	21	41	WE08.100A.200F
≤3μ	10	130	24	33	WE10.100A.130F
	10	160	24	35	WE10.100A.160F
	10	200	24	44	WE10.100A.200F
G2.5 25.000	12	130	27	37	WE12.100A.130F
	12	160	27	38	WE12.100A.160F
Fe-Ni	12	200	27	47	WE12.100A.200F
	14	130	29	39	WE14.100A.130F
	14	160	29	40	WE14.100A.160F
	14	200	29	49	WE14.100A.200F

HSK	d1	x1	d2	d3	code
100	16	130	33	43	WE16.100A.130F
	16	160	33	44	WE16.100A.160F
	16	200	33	53	WE16.100A.200F
Form A+C	18	130	35	45	WE18.100A.130F
	18	160	35	46	WE18.100A.160F
	18	200	35	55	WE18.100A.200F
≤3μ	20	130	39	49	WE20.100A.130F
	20	160	39	50	WE20.100A.160F
	20	200	39	59	WE20.100A.200F
G2.5 25.000	25	130	47	57	WE25.100A.130F
	25	160	47	58	WE25.100A.160F
Fe-Ni	25	200	47	67	WE25.100A.200F
	32	130	57	67	WE32.100A.130F
	32	160	57	68	WE32.100A.160F
	32	200	57	70	WE32.100A.200F

Rezervni dijelovi/ Ersatzteile/ Spare parts/ Accessoires

WE	Mxl	code
6	M6x6	WE.06.F
8	M8x7.5	WE.08.F
10	M10x8	WE.10.F
12	M12x8	WE.12.F
14	M12x8.5	WE.14.F
16	M14x8.5	WE.16.F
18	M14x8.5	WE.18.F
20	M16x10	WE.20.F
25	M18x2x11,5	WE.25.F
32	M20x2x13	WE.32.F

