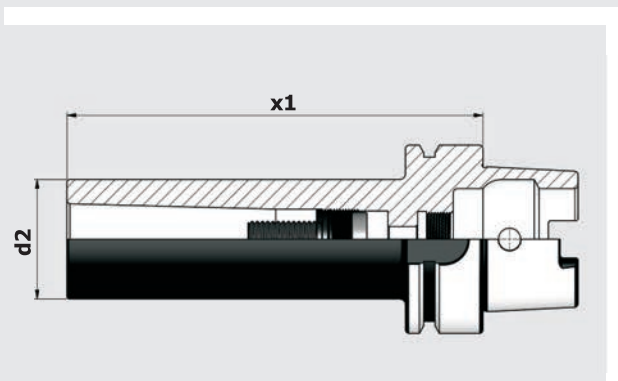


Držači alata sa MK drškom
DIN 6383/ DIN228 A

SAB

Zwischenhülsen für Morsekegelschäfte mit Austreibflappe DIN228 A
Adaptor sleeves for Morse taper shanks (for mills)
Douille de reduction pour fraises a vis incorporee



HSK	MK	x1	d2	code
50	1	100	25	MK1A.50A.100
	2	120	32	MK2A.50A.120
	3	140	40	MK3A.50A.140

Form
A+C

$\leq 7\mu$

G2.5
25.000

HSK	d1	x1	d2	code
63	1	100	25	MK1A.63A.100
	2	120	32	MK2A.63A.120
	3	140	40	MK3A.63A.140
	4	165	48	MK4A.63A.165

Form
A+C

$\leq 7\mu$

G2.5
25.000

HSK	d1	x1	d2	code
100	1	100	25	MK1A.100A.100
	2	120	32	MK2A.100A.120
	3	150	40	MK3A.100A.150
	4	170	48	MK4A.100A.170
	5	200	63	MK5A.100A.200

Form
A+C

$\leq 7\mu$

G6.3
25.000

HSK - ISO12164