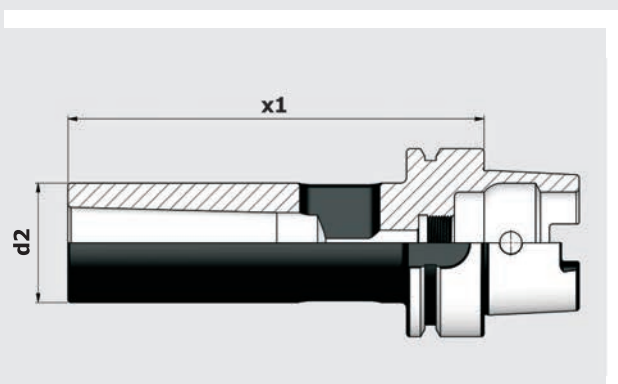




Držači alata sa MK drškom
DIN 6383/ DIN228 B

Zwischenhülsen für Morsekegelschäfte mit Austreibblappeb DIN228 B
Adaptor sleeves for Morse taper shanks (for drills)
Douille de reduction pour alesoirs et forets



HSK - ISO 12164

HSK	MK	x1	d2	code
50	1	100	25	MK1B.50A.100
	2	120	32	MK2B.50A.120
	3	140	40	MK3B.50A.140

Form
A+C

$\leq 7\mu$

G2.5
25.000

HSK	d1	x1	d2	code
63	1	100	25	MK1B.63A.100
	2	120	32	MK2B.63A.120
	3	140	40	MK3B.63A.140
	4	165	48	MK4B.63A.165

Form
A+C

$\leq 7\mu$

G2.5
25.000

HSK	d1	x1	d2	code
100	1	100	25	MK1B.100A.100
	2	120	32	MK2B.100A.120
	3	150	40	MK3B.100A.150
	4	170	48	MK4B.100A.170
	5	200	63	MK5B.100A.200

Form
A+C

$\leq 7\mu$

G6.3
25.000