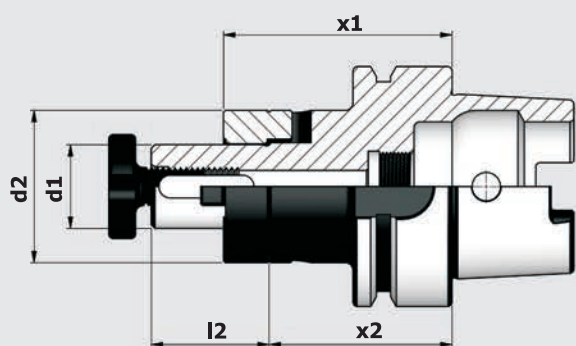




Kombinirani držači za nasadna glodala i glodaće glave DIN6358

Kombi-Aufsteckfräserdorne mit Längs- oder Quernut DIN6358
 Combi shell mill holders for cutters with longitudinal or transverse drive
 Mandrins porte-fraises double usage

Isporuka : sa ugrađenim klinom, povlačnim prstenom te križnim vijkom
 Lieferumfang : mit Paßfeder, Mitnehmerring und Fräseranzugschraube
 Delivery : with driving key, driving ring and cross screw
 Livraison : avec entraineur, clavette et vis cruciforme



HSK - ISO12164

HSK	d1	x1	x2	d2	l2	code
50	16	50	45	32	27	KD16.50A.050
	16	100	90	32	27	KD16.50A.100
	16	160	150	32	27	KD16.50A.160
Form A+C	22	50	38	40	31	KD22.50A.050
	22	100	88	40	31	KD22.50A.100
	22	160	148	40	31	KD22.50A.160
≤5μ	27	55	43	48	33	KD27.50A.055
	27	100	88	48	33	KD27.50A.100
	27	160	148	48	33	KD27.50A.160
G2.5 25.000	32	65	51	58	38	KD32.50A.065
	32	100	86	58	38	KD32.50A.100
	32	160	146	58	38	KD32.50A.160

Rezervni dijelovi/ Ersatzteile/ Spare parts/ Accessoires

d1	code
16	D6366.16
22	D6366.22
27	D6366.27
32	D6366.32
40	D6366.40
50	D6366.50



d1	code
16	D6367.M08
22	D6367.M10
27	D6367.M12
32	D6367.M16
40	D6367.M20
50	D6367.M24



d1	code
16	UP.04420
22	UP.06622
27	UP.07725
32	UP.08730
40	UP.10832
50	UP.12836

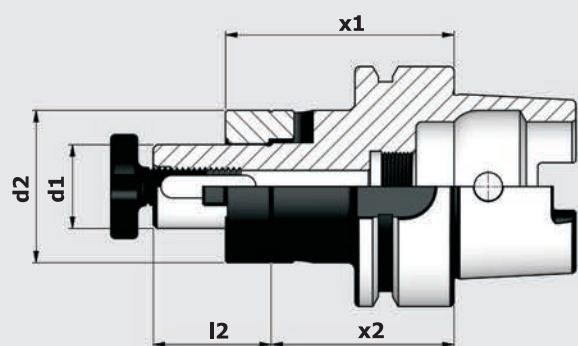


Kombinirani držači za nasadna glodala i glodaće glave DIN6358

SAB

Kombi-Aufsteckfräserdorne mit Längs- oder Quernut DIN6358
Combi shell mill holders for cutters with longitudinal or transverse drive
Mandrins porte-fraises double usage

Isporuka : sa ugrađenim klinom, povlačnim prstenom te križnim vijkom
Lieferumfang : mit Paßfeder, Mitnehmerring und Fräseranzugschraube
Delivery : with driving key, driving ring and cross screw
Livraison : avec entraineur, clavette et vis cruciforme



HSK	d1	x1	x2	d2	l2	code
63	16	60	50	32	27	KD16.63A.060
	16	100	90	32	27	KD16.63A.100
	16	160	150	32	27	KD16.63A.160
Form A+C	22	60	48	40	31	KD22.63A.060
	22	100	88	40	31	KD22.63A.100
	22	160	148	40	31	KD22.63A.160
≤5μ	27	60	48	48	33	KD27.63A.060
	27	100	88	48	33	KD27.63A.100
	27	160	148	48	33	KD27.63A.160
G2.5 25.000	32	60	46	58	38	KD32.63A.060
	32	100	86	58	38	KD32.63A.100
	32	160	146	58	38	KD32.63A.160
	40	70	56	70	41	KD40.63A.070
	40	100	86	70	41	KD40.63A.100
	40	160	146	70	41	KD40.63A.160

HSK - ISO12164

Rezervni dijelovi/ Ersatzteile/ Spare parts/ Accessoires

d1	code
16	D6366.16
22	D6366.22
27	D6366.27
32	D6366.32
40	D6366.40
50	D6366.50



d1	code
16	D6367.M08
22	D6367.M10
27	D6367.M12
32	D6367.M16
40	D6367.M20
50	D6367.M24



d1	code
16	UP.04420
22	UP.06622
27	UP.07725
32	UP.08730
40	UP.10832
50	UP.12836

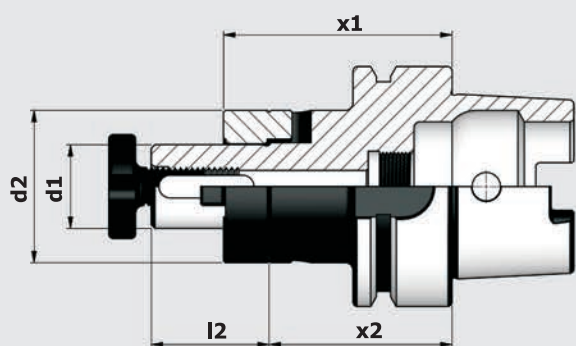




Kombinirani držači za nasadna glodala i glodaće glave DIN6358

Kombi-Aufsteckfräserdorne mit Längs- oder Quernut DIN6358
 Combi shell mill holders for cutters with longitudinal or transverse drive
 Mandrins porte-fraises double usage

Isporuka : sa ugrađenim klinom, povlačnim prstenom te križnim vijkom
 Lieferumfang : mit Paßfeder, Mitnehmerring und Fräseranzugschraube
 Delivery : with driving key, driving ring and cross screw
 Livraison : avec entraineur, clavette et vis cruciforme



HSK - ISO 12164

HSK	d1	x1	x2	d2	l2	code
100	16	60	50	32	27	KD16.100A.060
	16	100	90	32	27	KD16.100A.100
	16	160	150	32	27	KD16.100A.160
Form A+C	22	60	48	40	31	KD22.100A.060
	22	100	88	40	31	KD22.100A.100
	22	160	148	40	31	KD22.100A.160
≤5μ	27	60	48	48	33	KD27.100A.060
	27	100	88	48	33	KD27.100A.100
	27	160	148	48	33	KD27.100A.160
G6.5 25.000	32	60	46	58	38	KD32.100A.060
	32	100	86	58	38	KD32.100A.100
	32	160	146	58	38	KD32.100A.160
	40	70	56	70	41	KD40.100A.070
	40	100	86	70	41	KD40.100A.100
	40	160	146	70	41	KD40.100A.160

Rezervni dijelovi/ Ersatzteile/ Spare parts/ Accessoires

d1	code
16	D6366.16
22	D6366.22
27	D6366.27
32	D6366.32
40	D6366.40
50	D6366.50



d1	code
16	D6367.M08
22	D6367.M10
27	D6367.M12
32	D6367.M16
40	D6367.M20
50	D6367.M24



d1	code
16	UP.04420
22	UP.06622
27	UP.07725
32	UP.08730
40	UP.10832
50	UP.12836

