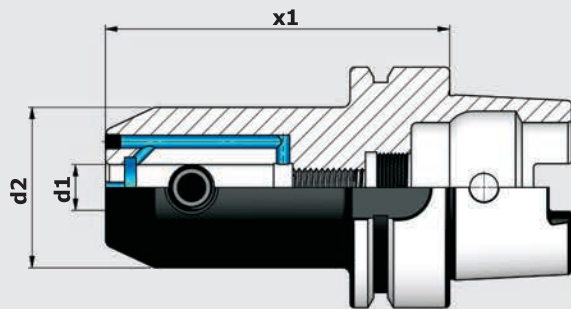




Držači DIN6359 za alate sa cilindričnom drškom DIN 1835B (Weldon)

Zwischenhülsen für Zylinderschäfte «WELDON»
Adaptor sleeves for parallel shanks «WELDON»
Mandrin pour outils a queue cylindrique a meplat «WELDON»

Isporuka : sa ugrađenim vijcima za stezanje
Lieferumfang : mit eingebauter Spannschraube
Delivery : adaptor with built in locking screw
Livraison : avec vis de serrage



HSK - ISO 12164

HSK	d1	x1	d2	code
50	6	65	25	WE06.50A.065.IK
	8	65	28	WE08.50A.065.IK
Form A+C	10	65	35	WE10.50A.065.IK
	12	80	42	WE12.50A.080.IK
≤3μ	14	80	44	WE14.50A.080.IK
	16	80	48	WE16.50A.080.IK
G2.5 25.000	18	80	50	WE18.50A.080.IK
	20	80	52	WE20.50A.080.IK
	25	105	65	WE25.50A.105.IK
	32	110	72	WE32.50A.110.IK

HSK	d1	x1	d2	code
100	6	80	25	WE06.100A.080.IK
	8	80	28	WE08.100A.080.IK
Form A+C	10	80	35	WE10.100A.080.IK
	12	80	42	WE12.100A.080.IK
≤3μ	14	80	44	WE14.100A.080.IK
	16	100	48	WE16.100A.100.IK
G6.3 25.000	18	100	50	WE18.100A.100.IK
	20	100	52	WE20.100A.100.IK
	25	100	65	WE25.100A.100.IK
	32	100	72	WE32.100A.100.IK
	40	110	72	WE40.100A.110.IK

HSK	d1	x1	d2	code
63	6	65	25	WE06.63A.065.IK
	8	65	28	WE08.63A.065.IK
Form A+C	10	65	35	WE10.63A.065.IK
	12	80	42	WE12.63A.080.IK
≤3μ	14	80	44	WE14.63A.080.IK
	16	80	48	WE16.63A.080.IK
G2.5 25.000	18	80	50	WE18.63A.080.IK
	20	80	52	WE20.63A.080.IK
	25	105	65	WE25.63A.105.IK
	32	110	72	WE32.63A.110.IK
	40	120	72	WE40.63A.120.IK

Rezervni dijelovi/ Ersatzteile/ Spare parts/ Accessoires

Weldon	code
6	WE.06
8	WE.08
10	WE.10
12	WE.12
14	WE.14



Weldon	code
16	WE.16
18	WE.18
20	WE.20
25	WE.25
32	WE.32
40	WE.40